

# Screwing unit

## SBE-M-18-11-6,2SW4,8-VD

Item 40666



GO TO PRODUCT

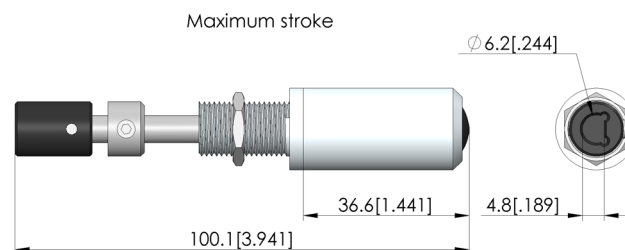
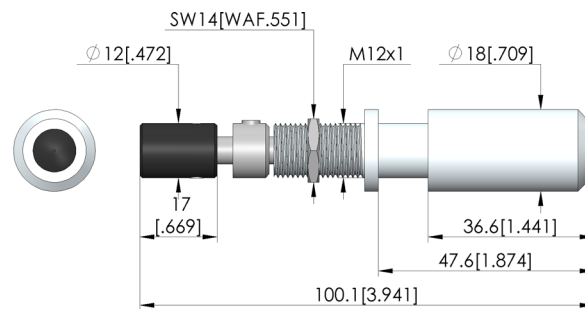
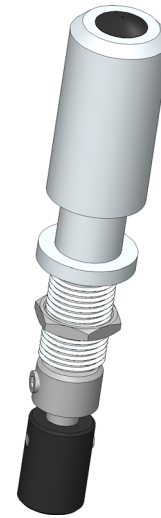
ingun®

Partner for Future Technology

- For setting rotatable adjustable potentiometers during the test
- Space-saving, quick, easy installation
- Manual actuation

### Application

With screwing units (SBE), space-saving alignment of adjustable screw-in devices can be performed during testing. Operation is manual. Screw-in units are typically mounted in the pressure frame plate.



# Screwing unit

## SBE-M-18-11-6,2SW4,8-VD

Item 40666



GO TO PRODUCT

**ingun**<sup>®</sup>

Partner for Future Technology

### General data

Product group:  
Series:  
Type:  
Version:  
Accessory type:  
Scope of delivery:  
Material:  
Colour:  
Min. temperature:  
Max. temperature:  
RoHS-compliant:

Screwing units  
SBE  
Manual, vacuum-tight  
Customising accessories  
Incl. round bit  
POM  
White  
10 °C [50 °F]  
60 °C [140 °F]  
Yes

### Compatible with

Manual test fixtures (MA):  
Vacuum test fixtures (VA):  
MA exchangeable kits (ATS MA):  
PA exchangeable kits (ATS PA):  
For dual-stage contacting:

MA 2012  
VA 30xx  
ATS MAxx  
ATS PAZxxx  
Yes

### Technical data

Stroke:  
Tip diameter:  
Installation grid:  
Blade dimensions (WxD):  
Length:  
Diameter:

11 mm [.433 in]  
18 mm [.708 in]  
18 mm [.708 in]  
6.2 x 4.8 mm [.244 x .188 in]  
100 mm [3.94 in]  
18 mm [.708 in]

### INGUN Prüfmittelbau GmbH

Max-Stromeyer-Straße 162  
78467, Constance, Germany  
Phone +49 7531 8105-0  
Customer hotline +49 7531 8105-888  
Fax +49 7531 8105-65  
info@ingun.com



Prices and delivery times on request.  
Technical changes reserved. 03/26\_GB