

# Adapter, coaxial

## HFS-ADA-MCX-M-PC35-F

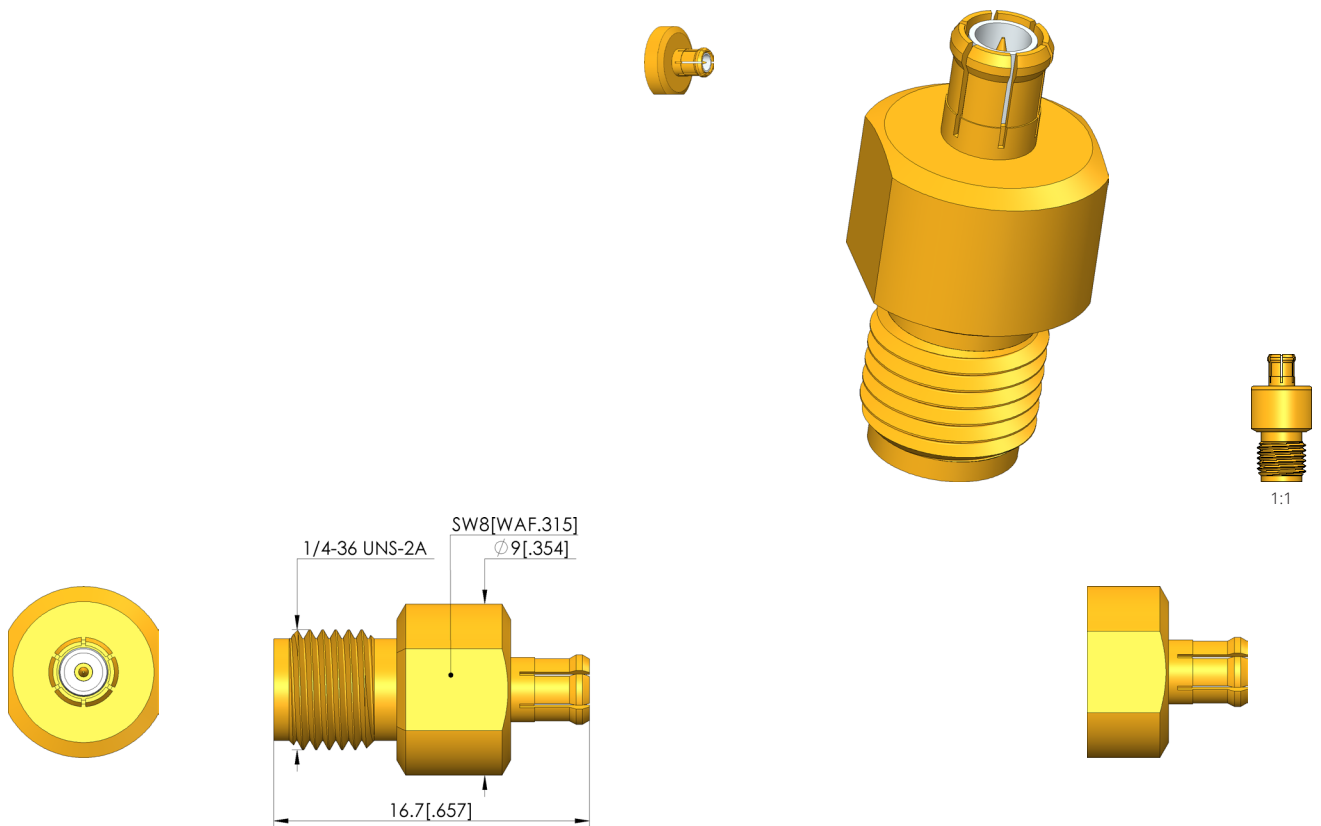
Item HFS-ADA-MCX-M-PC35-F



GO TO PRODUCT

**ingun**<sup>®</sup>

Partner for Future Technology



### General data

Product group:  
Series:  
Sub-series:  
Min. temperature:  
Max. temperature:  
RoHS-compliant:

Test fixture (HFS-ADA)  
RF ADA fixture  
RF ADA fixture  
-55 °C [-67 °F]  
85 °C [185 °F]  
Yes

### Electrical data

Maximum frequency:  
Impedance:

6 GHz  
50 Ohm

### Connector data

Interface 1:  
Interface gender 1:  
Version 1:  
Interface 2:  
Interface gender 2:  
Version 2:  
Moment interface 2:

MCX  
M signal conductor male / plug  
Straight  
PC3.5  
F signal conductor female / socket  
Straight  
100 cNm [8.85 lbf·in]

### INGUN Prüfmittelbau GmbH

Max-Stromeyer-Straße 162  
78467, Constance, Germany  
Phone +49 7531 8105-0  
Customer hotline +49 7531 8105-888  
Fax +49 7531 8105-65  
info@ingun.com



Prices and delivery times on request.  
Technical changes reserved. 06/26\_GB

Learn more about  
Test probes

