

Test plug

# HFS-ADA-QSMA-M-SMA-F

Item HFS-ADA-0003

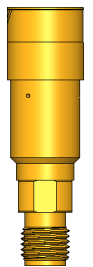
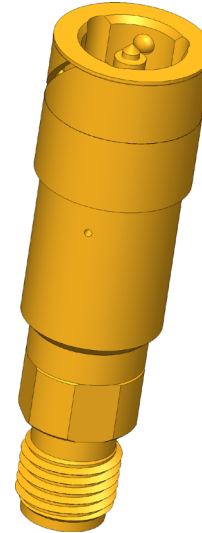


GO TO PRODUCT

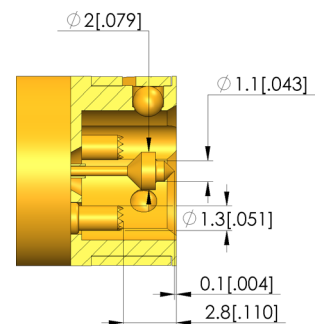
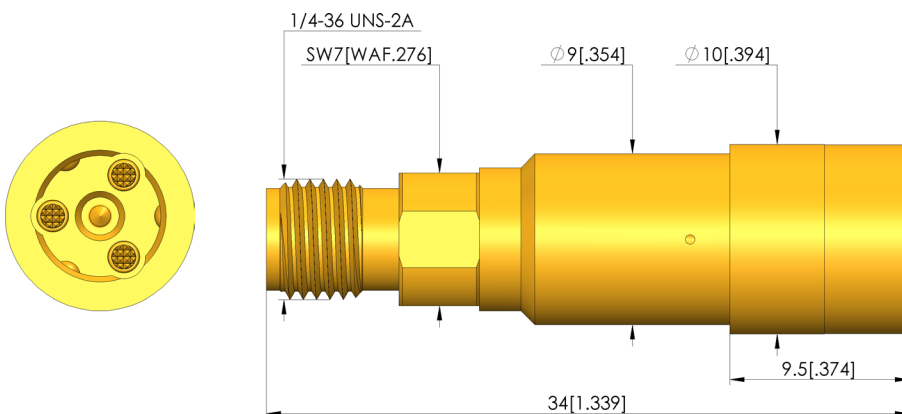
**ingun**<sup>®</sup>

Partner for Future Technology

INGUN  
PATENT



1:1



## General data

Product group:

Series:

Sub-series:

Min. temperature:

Max. temperature:

RoHS-compliant:

Test fixture (HFS-ADA)

RF ADA fixture

RF ADA fixture

-40 °C [-40 °F]

80 °C [176 °F]

Yes

## Connector data

Interface 1:

Interface gender 1:

Version 1:

Interface 2:

Interface gender 2:

Version 2:

Moment interface 2:

SMA

M signal conductor male / plug

Straight

SMA

F signal conductor female / socket

Straight

45 cNm [3.98 lbf-in]

## Electrical data

Maximum frequency:

12 GHz

Impedance:

50 Ohm

## INGUN Prüfmittelbau GmbH

Max-Stromeyer-Straße 162

78467, Constance, Germany

Phone +49 7531 8105-0

Customer hotline +49 7531 8105-888

Fax +49 7531 8105-65

info@ingun.com



Prices and delivery times on request.  
Technical changes reserved. 06/26\_GB

Learn more about  
Test probes

