

Screwing unit

SBE-O-08-04-S2,5-BW1,8

Item 29292



GO TO PRODUCT

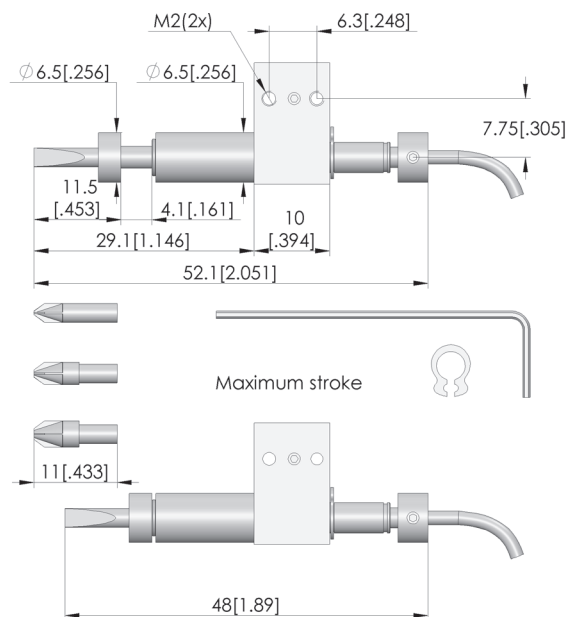
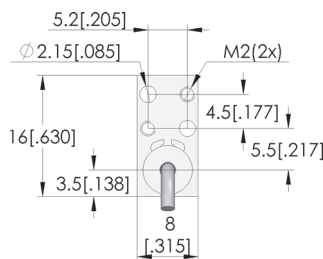
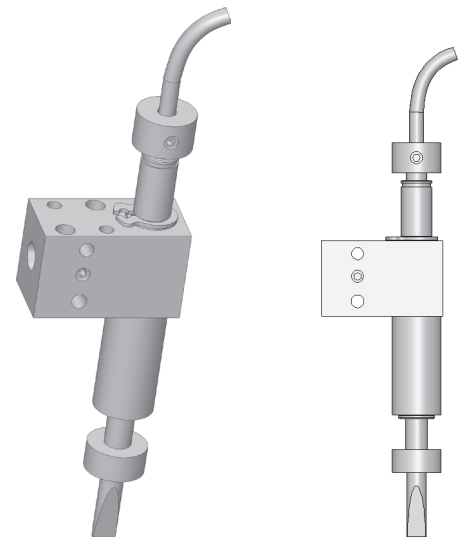
ingun[®]

Partner for Future Technology

- For setting rotatable adjustable potentiometers during the test
- Floating, spring-mounted screwdriver head
- Space-saving, quick, easy installation
- Manually or electrical operation via flexible (or rigid) shaft, with optionally available step motor
- Zero position can be detected via optionally available sensor (#25263)

Application

With screwing units (SBE), space-saving alignment of adjustable screw-in devices can be performed during testing. Operation is manual or motorised. Screwing units are typically mounted in the pressure frame plate.



General data

Product group:
Series:
Type:
Version:
Accessory type:
Scope of delivery:
Min. temperature:
Max. temperature:
RoHS-compliant:

Screwing units
SBE
Flexible cable
Customising accessories
Incl. slotted / cross bit
10 °C [50 °F]
60 °C [140 °F]
Yes

Compatible with

Manual test fixtures (MA):
MA exchangeable kits (ATS MA):
PA exchangeable kits (ATS PA):
For dual-stage contacting:

MA 2012
ATS MAxx
ATS PAZxxx
No

Technical data

Stroke: 4 mm [.157 in]
Force: 3 N [10.7 ozf]
Installation grid: 8 mm [.314 in]
Blade dimensions (WxD): 2.5 x 0.5 mm [.098 x .019 in]
Flexible shaft diameter: 1.8 mm [.07 in]
Min. bending radius: 35 mm [1.37 in]
Flexible shaft length: 1,000 mm [39.3 in]
Length: 52.1 mm [2.05 in]

Screwing unit

SBE-O-08-04-S2,5-BW1,8

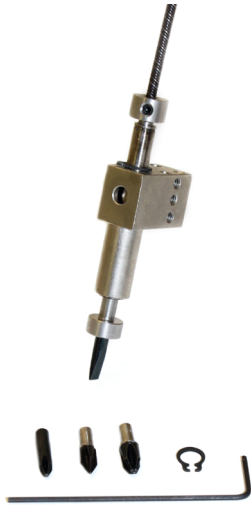
Item 29292



GO TO PRODUCT

ingun[®]

Partner for Future Technology



INGUN Prüfmittelbau GmbH

Max-Stromeyer-Straße 162
78467, Constance, Germany
Phone +49 7531 8105-0
Customer hotline +49 7531 8105-888
Fax +49 7531 8105-65
info@ingun.com



Prices and delivery times on request.
Technical changes reserved. 03/26_GB