

Insertion Tool

BIT-GKS-500 M

Item BIT-GKS-500M



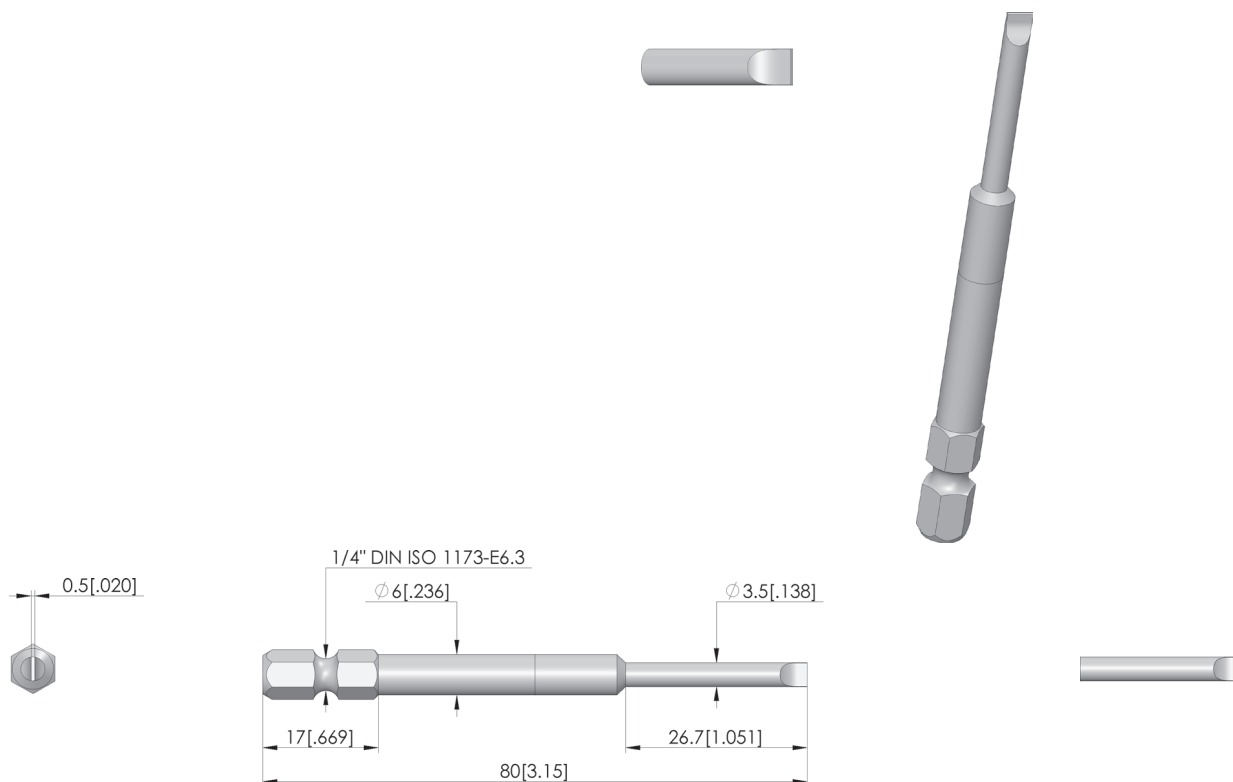
GO TO PRODUCT

ingun[®]

Partner for Future Technology

BIT-Werkzeug

Zum Ein- und Ausschrauben von Kontaktstiften



General data

Screw-in torque max.:	20 cNm [1.77 lbf-in]
Product group:	Bit inserts (BIT)
Compatible test probe(s) / receptacle(s):	012 GKS-500
Series:	BIT-GKS
Tool for receptacle (KS):	No
Tool for test probe (GKS):	Yes
Test probe installation type:	Screw-in
Min. tip diameter:	0 mm [0 in]
Max. tip diameter:	25 mm [.984 in]
Tool version:	Rigid
Screw-in torque:	10 – 20 cNm [.885 – 1.77 lbf-in]
RoHS-compliant:	Yes

INGUN Prüfmittelbau GmbH

Max-Stromeyer-Straße 162
78467, Constance, Germany
Phone +49 7531 8105-0
Customer hotline +49 7531 8105-888
Fax +49 7531 8105-65
info@ingun.com



Prices and delivery times on request.
Technical changes reserved. 04/26_GB

Learn more about
Tool



ingun.com