

Screwing unit SBE-M-18-26-S3-VD

Item 55465



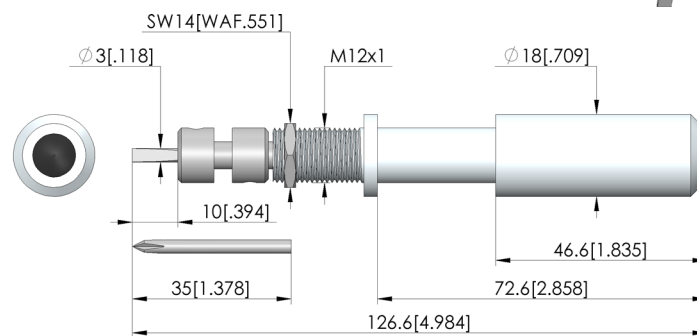
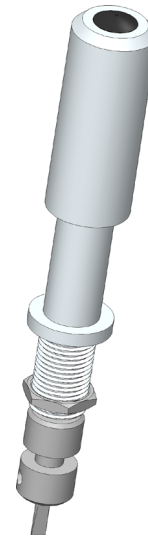
ingun®

Partner for Future Technology

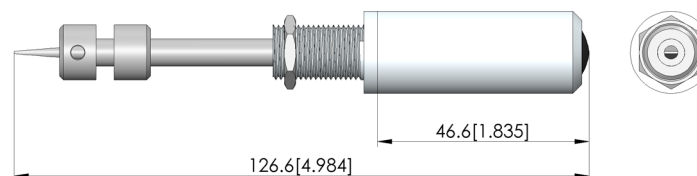
- For setting rotatable adjustable potentiometers during the test
- Space-saving, quick, easy installation
- Manual actuation

Application

With screwing units (SBE), space-saving alignment of adjustable screw-in devices can be performed during testing. Operation is manual. Screw-in units are typically mounted in the pressure frame plate.



Maximum stroke



Screwing unit

SBE-M-18-26-S3-VD

Item 55465



GO TO PRODUCT

ingun[®]

Partner for Future Technology

General data

Product group:
Series:
Type:
Version:
Accessory type:
Scope of delivery:
Material:
Colour:
Min. temperature:
Max. temperature:
RoHS-compliant:

Screwing units
SBE
Manual, vacuum-tight
Customising accessories
Incl. slotted / cross bit
POM
White
10 °C [50 °F]
60 °C [140 °F]
Yes

Compatible with

Manual test fixtures (MA):
Vacuum test fixtures (VA):
MA exchangeable kits (ATS MA):
PA exchangeable kits (ATS PA):
For dual-stage contacting:

MA 2012
VA 30xx
ATS MAxx
ATS PAZxxx
Yes

Technical data

Stroke:
Tip diameter:
Installation grid:
Blade dimensions (WxD):
Length:
Diameter:

26 mm [1.02 in]
18 mm [.708 in]
18 mm [.708 in]
3 x 0.7 mm [.118 x .027 in]
126 mm [4.98 in]
18 mm [.708 in]

INGUN Prüfmittelbau GmbH

Max-Stromeyer-Straße 162
78467, Constance, Germany
Phone +49 7531 8105-0
Customer hotline +49 7531 8105-888
Fax +49 7531 8105-65
info@ingun.com

